



003365D Rev A

Installation Instructions

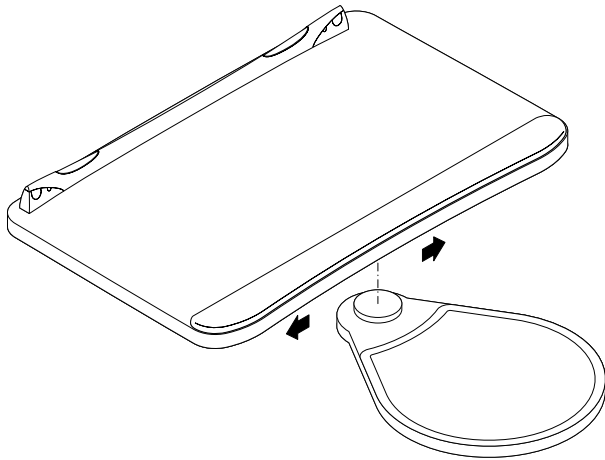
NOTE: Stella mechanism is shown.

For mechanisms without Quick Connect; remove adapters, use washers and nuts provided.

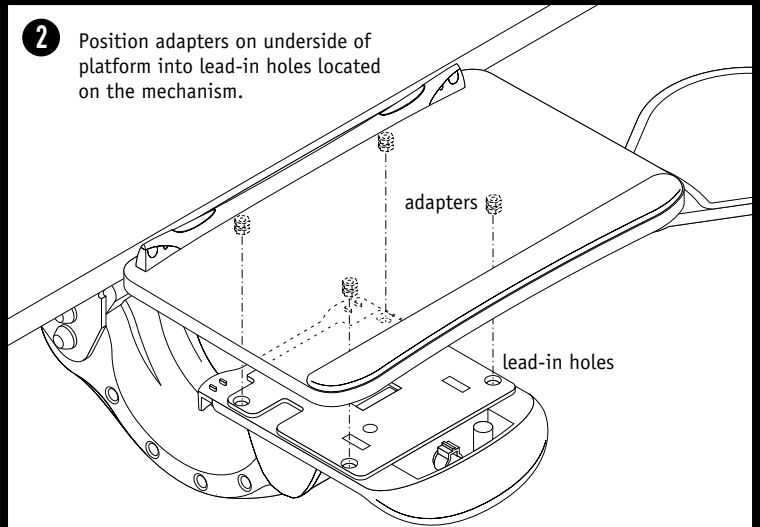
Jules Platform
CSAM



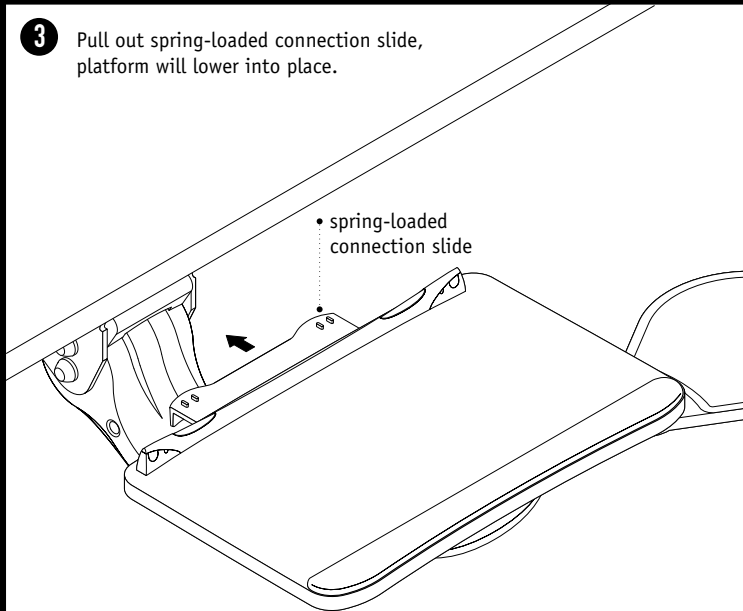
- 1** Attach mousing surface to underside of Jules Platform at center. Slide all the way to the left or right. You will hear a "click" when properly engaged.



- 2** Position adapters on underside of platform into lead-in holes located on the mechanism.

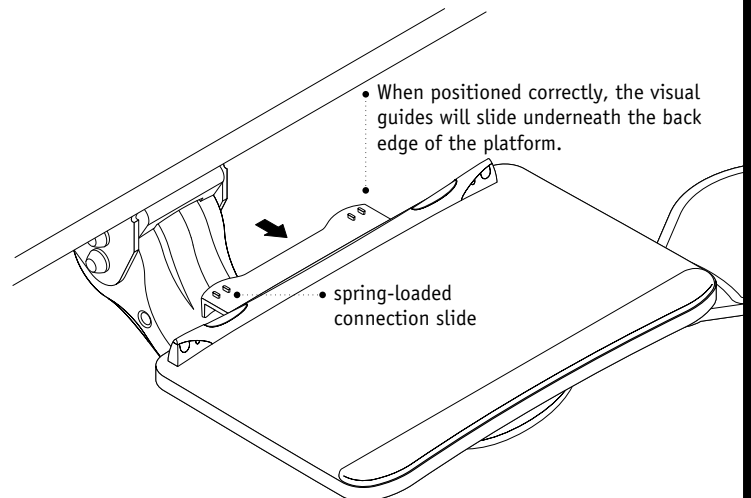


- 3** Pull out spring-loaded connection slide, platform will lower into place.



- 4** Apply downward pressure to keyboard platform while sliding connection slide into locking position.

Important: Make sure all four connection points are firmly attached.



For keyboards without non-slip feet, use the enclosed self-adhesive grip pads.



Enclosed self-adhesive cable clips may be attached anywhere to help keep cables out of the way.



For a better day at work.™

details®

A STEELCASE COMPANY

www.details-worktools.com
P.O. Box 1967 Grand Rapids, MI 49501-1967
All rights reserved. Printed in U.S.A. 1/05