



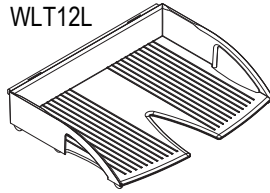
004677D Rev B

Page 1 of 1

Installation Instructions

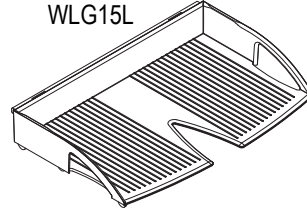
12" Letter Tray - Landscape

WLT12L



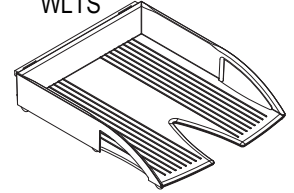
15" Legal Tray - Landscape

WLG15L



10" Letter Tray - Portrait

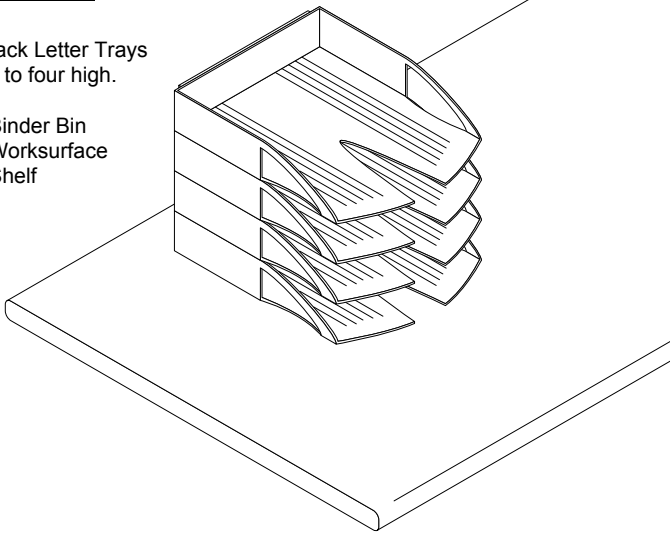
WLTS



Freestanding

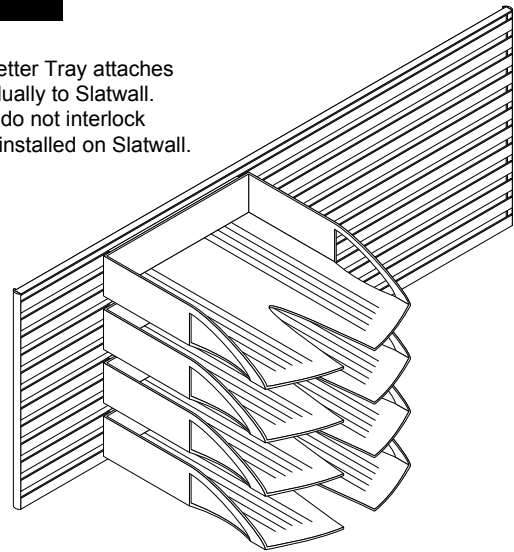
Stack Letter Trays up to four high.

- Binder Bin
- Worksurface
- Shelf

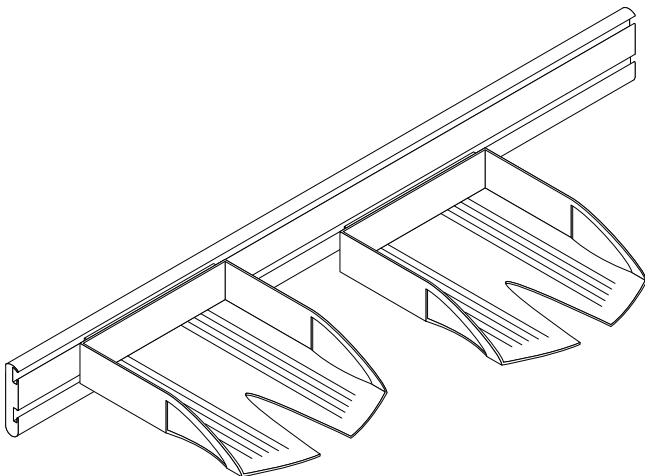


Slatwall

The Letter Tray attaches individually to Slatwall. Trays do not interlock when installed on Slatwall.

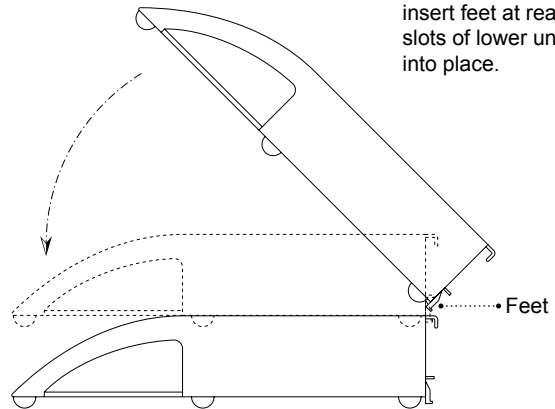


SlatRail



To Stack Product:

Holding product at 45° angle, insert feet at rear of tray into slots of lower unit. Guide tray into place.



For a better day at work.™

details®

A STEELCASE COMPANY

www.details-worktools.com
Details Customer Alliance 800.833.0411
All rights reserved. Printed in U.S.A. 12/06