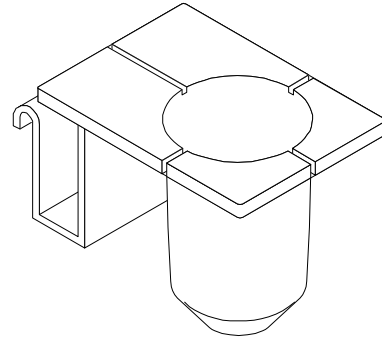


Pen/Pencil Cup

Customer Needs:

Keeps your pens, pencils, markers, letter opener – even scissors – right at your fingertips.



Product Features

- Style Number: WPCS
- Size: W3-1/8" x H3-1/2" x D5-1/4"
- Color:
 - Cup: Amber, Arctic White, Black, Frost or Rain.
 - Attachment Bracket: Black, Champagne, or Pewter.
- Construction: Bracket is formed steel, Cup is:
 - Translucent: Injection-molded engineering resin for quality and durability.
 - Opaque (Arctic White and Black): Injection-molded ABS plastic for quality and durability.
- Application: Slatwall, SlatRail.
- Warranty: 10 years.
- Sturdy cup with 2-1/4" diameter.
- Holds up to 2 lbs.
- Place in convenient location to prevent twisting and reaching for pens and pencils.
- Metal-to-metal attachment.

Call Details Customer Alliance for support - 800.833.0411

For a better day at work.™

details®

A STEELCASE COMPANY

P.O. Box 1967 / CD-5E / Grand Rapids, MI 49501-1967 / www.details-worktools.com

©2007 Office Details Inc. All Rights Reserved. Printed in U.S.A. 03/07

Subject to change without notice