

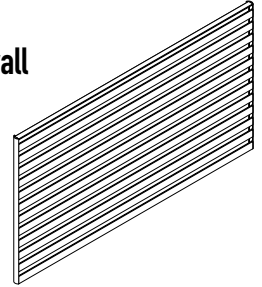


003114D Rev C

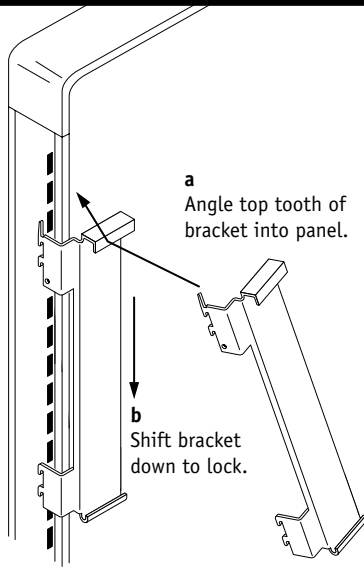
# Installation Instructions

**Note:** The Slatwall end cap(s) may be removed for applications that require two Slatwall tiles to be next to each other, or for a single Slatwall tile to fit better in a corner.

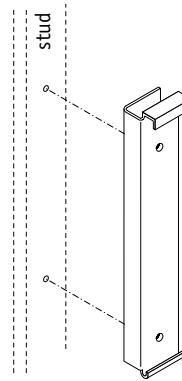
Slatwall



- 1** For Panel Mount, insert brackets into panel at desired height.



- 2** For Wall Mount, attach brackets to wall at desired height.

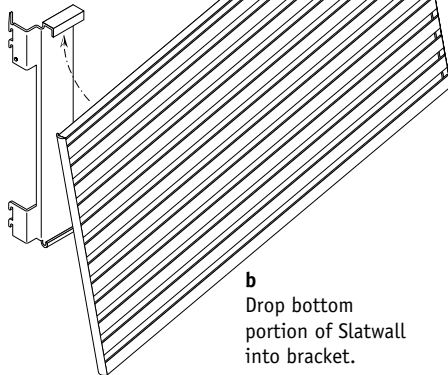


- a** Locate wall studs and mark screw locations.
- b** Pre-drill holes 1" into the wall with 9/64" drill bit.
- c** Turn screws until bracket is flush against wall. Do not torque excessively.

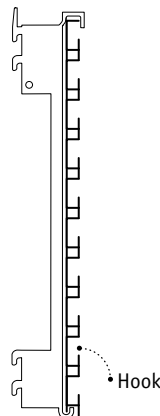
- For wood studs, use four (4) #10 wood screw fasteners (not included).
- For steel studs, use four (4) #10 wall anchors (not included).
- For drywall, use four (4) #10 wall anchors (not included).

- 3** Attach Slatwall.

- a** Slide top portion of Slatwall into mounted bracket.

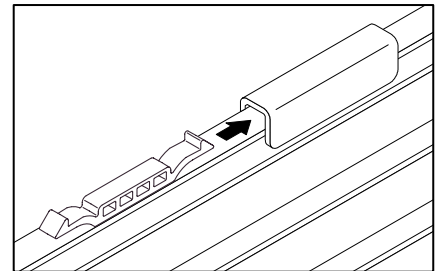


Side View

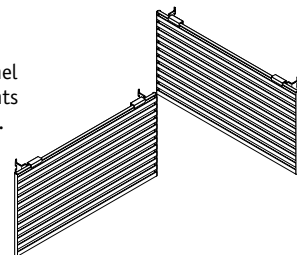


**Note:** For proper installation, Slatwall hooks should be upward.

- 4** Insert Slatwall Retention Clip into top of each bracket to prevent accidental dislodgment.



**Note:** On a 90° corner panel application, stagger heights of Slatwall to allow for fit.



**Note:** For 42"H panels, use system specific brackets.

For a better day at work.™

# details®

A STEELCASE COMPANY

www.details-worktools.com  
P.O. Box 1967 Grand Rapids, MI 49501-1967  
All rights reserved. Printed in U.S.A. 2/05