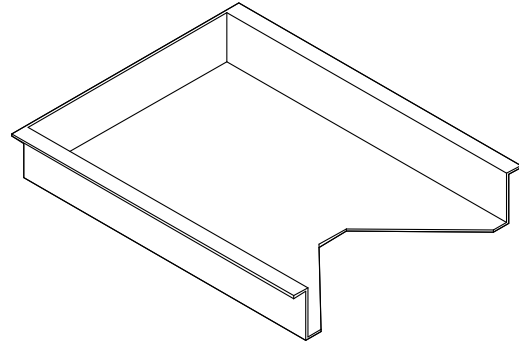


## Filing Tray

### Customer Needs:

The Filing Tray is stackable and contains a front finger grip area giving easy access to your documents, along with handles on the sides for comfortable repositioning.



### Product Features

- Style Number: WMFB
- Color: Matte Black
- Construction: Aluminum, Polystyrene and soft coat rubberized finish
- Weight: 1.85 lbs.
- Dimensions: W11-5/8" x H2-1/4" x D14-1/4"
- Application: Freestanding
- Warranty: 2 years
- Stackable without the use of tools or brackets.
- Each tray holds 7 lbs. of material.
- Will accommodate letter size paper.
- Easy access to horizontal filing.
- Handles on the sides allow product to be lifted, carried or repositioned easily.
- Front finger grip area allows for easy removal of contents.
- Surface is smooth with a matte finish.
- Sturdy construction with a soft feel.

For additional information, visit the Details website: [www.details-worktools.com](http://www.details-worktools.com) or call 800-833-0411

**For a better day at work.™**

**details®**

A STEELCASE COMPANY

P.O. Box 1967 / CD-5E / Grand Rapids, MI 49501-1967

©2009 Office Details Inc. All Rights Reserved. Printed in U.S.A. 08/09

Subject to change without notice