

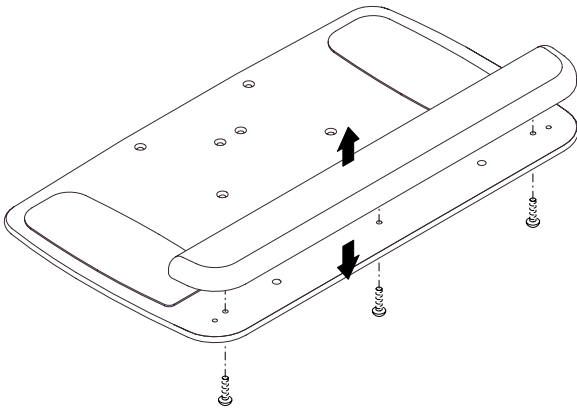


Installation Instructions

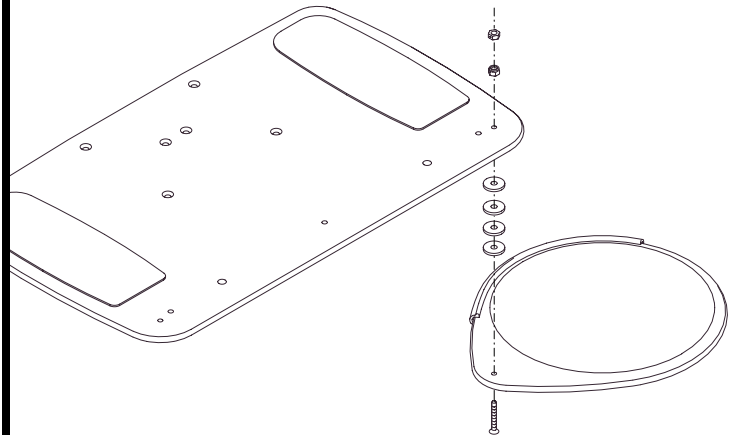
004187D Rev A

I/Q Mouse Pad
Customer Service
Package

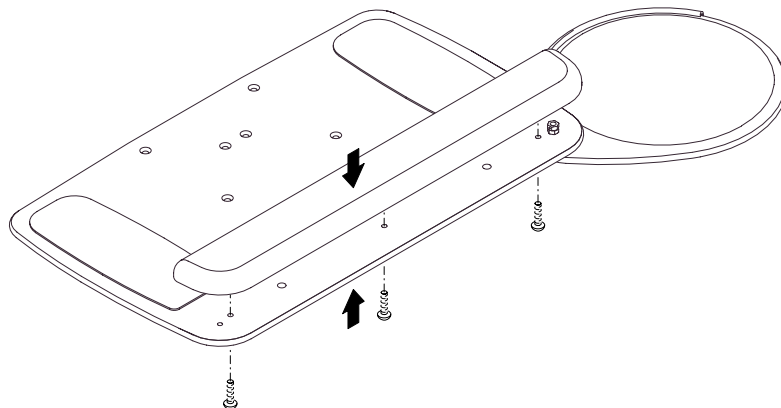
1 Remove Palm Rest. (May have screws or Christmas trees.)



2 Bolt together Mouse Pad.



3 Replace Palm Rest.



For a better day at work.™

details®

A STEELCASE COMPANY

www.details-worktools.com
Details Customer Alliance 800.833.0411
All rights reserved. Printed in U.S.A. 10/05